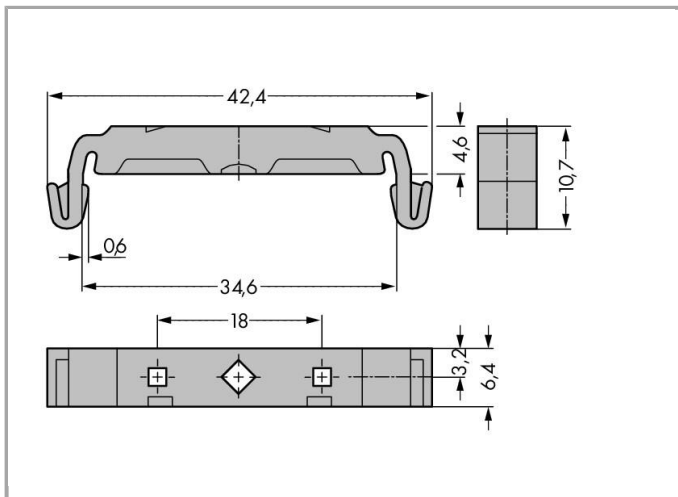


## Data sheet | Item number: 209-120

Mounting foot; can be snapped on terminal blocks with snap-in mounting foot; for mounting on relay-modules; 6.4 mm wide



209-120



### Data

#### Technical Data

Main product function	Mounting Accessories
Type of mounting	DIN-35 rail

#### Geometrical Data

Abmessungen B x H x T (mm)	(6.4 x 4.6 x 42.4) mm
Abmessungen B x H x T (inch)	(0.252 x 0.181 x 1.669) inch
Width	6.4 mm / 0.252 inch
Height	4.6 mm / 0.181 inch
Depth	42.4 mm / 1.669 inch

## Material Data

Weight	1.414 g
--------	---------

---

## Commercial data

Product Group	2 (Terminal Block Accessories)
Country of origin	CH
GTIN	4017332272421
Customs Tariff No.	39269097900

---

## Compatible products

### assembling



<b>Item no.: 209-119</b> Fixing screw; for 209-120 mounting carrier
--

---

209-119
---------

## Downloads

### Documentation

#### Bid Text

209-120	doc 23.0 kB	Download
---------	----------------	----------

---

## CAD/CAE - Smart Data

### CAD data

3D Download 209-120	URL	Download
---------------------	-----	----------

---

Subject to changes.

---